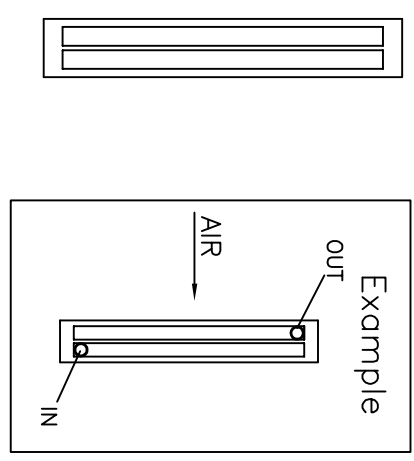
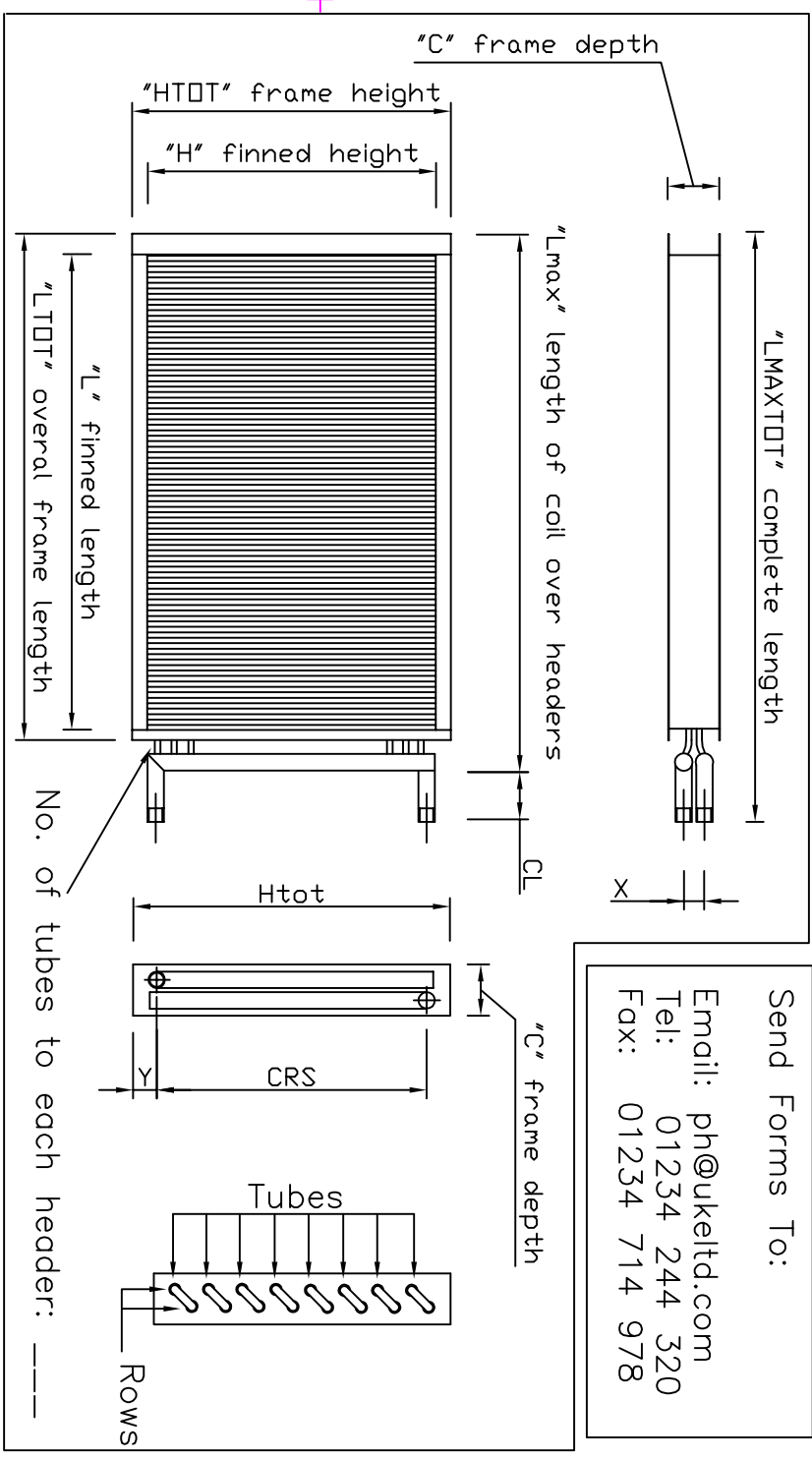


Reference: _____
 Name: _____
 Company: _____
 Email: _____
 Tel No.: _____

Where are the Connections –
 in relation to the air flow ?
 (Draw inlet & outlet connection –
 position & air flow direction)

Send Forms To:
 Email: ph@ukeltd.com
 Tel: 01234 244 320
 Fax: 01234 714 978



Number of tubes & Rows ?
 Example: 8 tubes per row
 2 rows of tubes

No. of Tubes _____
 No. of Rows _____

Frame Dimensions in m.m.				
L	H	LTOT	HTOT	C
				LMAX
				LMAXTOT

Connection and header Dimensions in m.m.				
X	Y	CRS	CL	Connection size

Tube Dia: _____
 Tube Material: _____
 Fin Material: _____
 Frame Material: _____

Fin Spacing: _____
 AHU or Duct: _____
 Steam/Water: _____
 Steam Pressure: _____

Itemref	Quantity	Title/Name, designation, material, dimension etc	Article No./Reference
Designed by TS	Checked by PFC	Approved by - date	File name
			Date 31/05/2011
			Scale N.T.S

UK EXCHANGERS LTD
 the heat transfer specialists

Replacement Coil Dimensions
 Water / Steam

Edition 1
 Sheet 1/1